

Spiral Retaining Cables

Plastic, with Two Key Rings

SPECIFICATION

Spiral retaining cable
Plastic (Polyuretan PUR)
Black

Fixing loop
Copper, tin-plated
Key rings
Stainless steel AISI 301



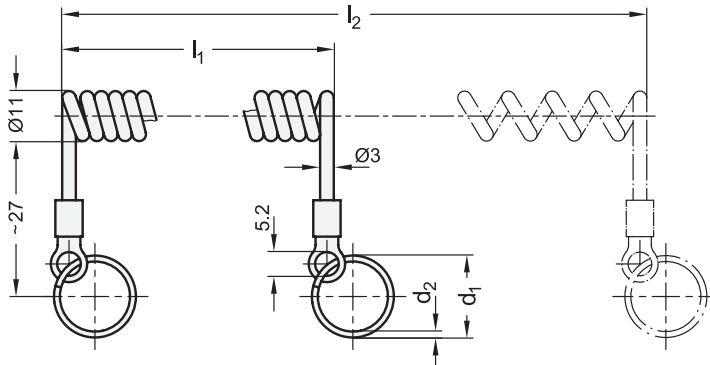
INFORMATION

Spiral retaining cables GN 111.4 are used in connection with low weight elements e. g. pins with axial lock and ball lock pins. They are distinguished for a large „usable length“ l_2 . The key rings are supplied unmounted. Both rings have the same $\varnothing d_1$. The details on static loads are guide values given without warranty.

ACCESSORY

- Key Rings GN 111.3 (see page 903)

Ideal suitable for ball lock pins and locking pins with axial lock \varnothing										
d_1	GN 113.1, GN 113.3, GN 113.4, GN 113.7, GN 113.8, GN 113.9, GN 113.10	GN 113.5, GN 113.6	GN 113.11, GN 113.12	GN 114.2, GN 114.3, GN 114.6	GN 114.7, GN 114.8	GN 114.11, GN 114.12	GN 124.1, GN 124.2	GN 124.3	GN 214.2, GN 214.3, GN 214.6	GN 314
14	5 / 6 / 8	all	5 / 6 / 8 / 10	all	6 / 8	6 / 8 / 10 / 12	all	8 / 10	6 / 8	-
18	10 / 12 / 16 / 20 / 25	-	12 / 16	-	10 / 12 / 16 / 20	16 / 20	-	10 / 12	10 / 12 / 16 / 20 / 25	8 / 10 / 12
24	-	-	20 / 25	-	-	-	-	-	-	16 / 20
30	-	-	-	-	-	-	-	-	-	-



GN 111.4

Description	$l_1 \approx$	d_1	$l_2 \text{ max. } \approx$	d_2	Static load in N \approx with key ring	Static load in N \approx without key ring	Δ
GN 111.4-50-14	50	14	250	1	50	60	8
GN 111.4-50-18	50	18	250	1.3	60	60	10
GN 111.4-50-24	50	24	250	1.5	60	60	11
GN 111.4-100-14	100	14	500	1	50	60	10
GN 111.4-100-18	100	18	500	1.3	60	60	12
GN 111.4-100-24	100	24	500	1.5	60	60	13
GN 111.4-200-14	200	14	1000	1	50	60	17
GN 111.4-200-18	200	18	1000	1.3	60	60	17
GN 111.4-200-24	200	24	1000	1.5	60	60	18